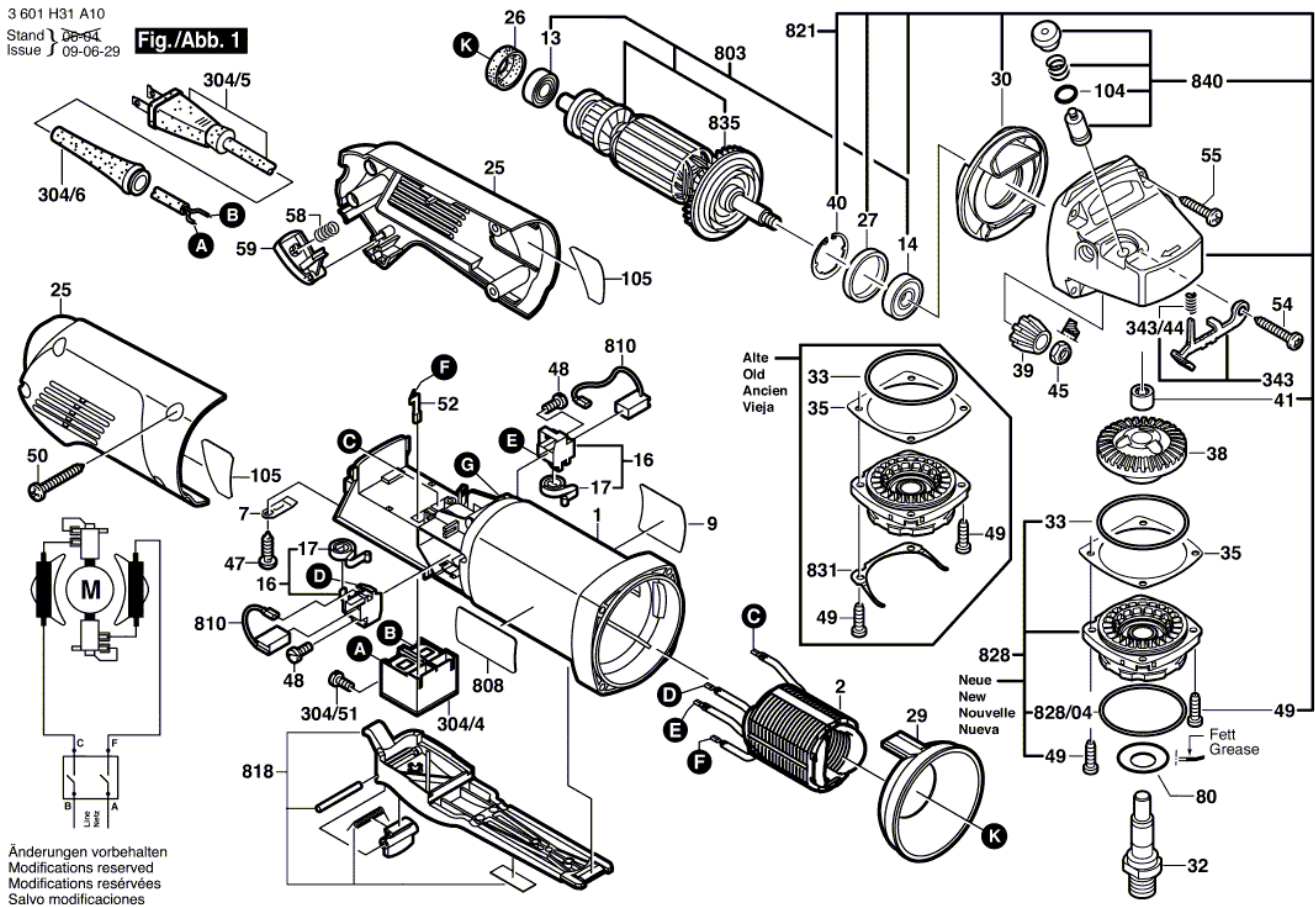


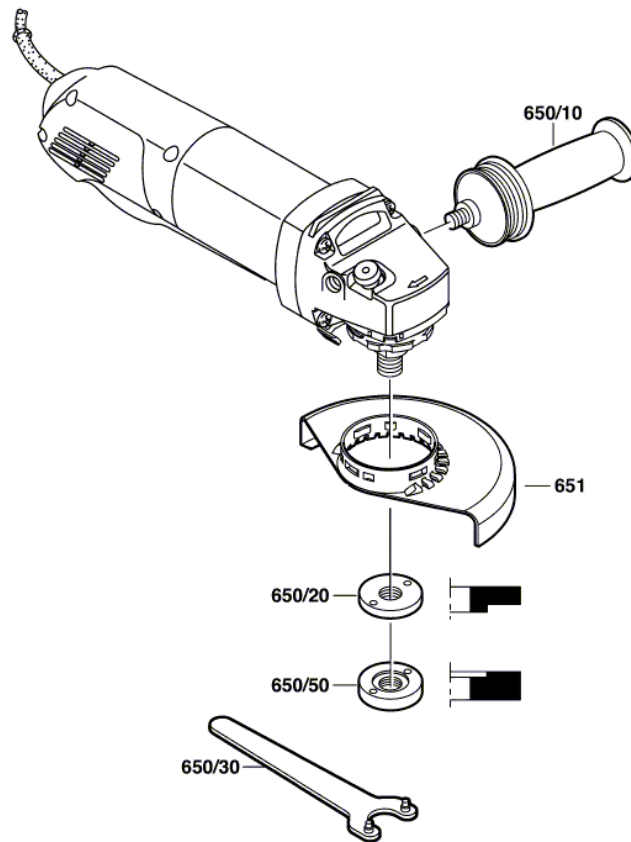


3 601 H31 A10  
Stand 1 2014  
Issue J 09-06-29

**Fig./Abb. 1**



3 601 H31 A10

Stand 10-04-07  
Issue J 06-04-24**Fig./Abb. 2**Änderungen vorbehalten  
Modifications reserved  
Modificaciones reservadas  
Salvo modificaciones



Pos.	Part Number	Description	Pos.	Part Number	Description
1	1 605 108 222	Motor Housing			
2	1 604 220 306	Field			
7	1 601 302 017	Fastening Clamp			
9	1 601 118 C43	Manufacturer's nameplate			
13	2 600 905 032	Ball Bearing			
14	1 600 905 032	groove ball bearing			
16	1 601 323 025	Brush Holder			
17	1 604 652 013	Spiral Spring			
25	1 600 508 031	Housing Cover			
26	1 600 206 036	Rubber Ring			
27	1 600 206 025	Rubber Ring			
29	1 600 591 038	Air-Deflector Ring			
30	1 600 591 014	Air-Deflector Ring			
32	1 607 000 D68	Motor Housing			
33	1 600 210 035	O-Ring			
35	1 600 136 013	Shim			
35	1 600 136 020	Shim			
35	1 600 136 014	Shim			
35	1 600 136 015	Shim			
38	1 606 333 616	Crown Gear			
39	1 606 333 617	Bevel Gear			
40	1 600 119 011	Retaining clip			
41	1 600 910 018	Needle bearing			
45	1 603 300 016	Hex Nut			
47	2 603 490 021	Torx Oval-Head Screw			
48	1 613 435 034	Lens Head Screw			
49	2 914 491 410	Thread-forming tap. Screw			
50	1 603 435 051	Tapping Screw			
52	1 604 478 015	Connection Part			
54	1 603 414 026	Torx Oval-Head Screw			
55	1 603 435 078	Torx Oval-Head Screw			
58	1 604 617 012	Compression Spring			
59	1 602 026 072	Switch Button			
80	3 600 150 021	Sealing disk			
104	1 600 210 044	O-Ring			
105	1 601 071 000	Insulating Plate			
304/4	1 607 200 155	Switch			
304/5	2 604 460 187	Power supply cord			
304/6	1 600 703 040	Grommet			
304/51	1 603 415 004	Lens Head Screw			
343	1 607 000 742	Catch Lever			
343/44	1 604 611 042	Compression Spring			
650/10	1 602 025 031	Auxiliary Handle			
650/20	3 603 340 501	Clamping-Flange			
650/30	1 607 950 052	Pin-Type Face-Wrench			
650/50	3 603 340 503	Round Nut			
651	1 600 A00 XL4	Protective Cover			
803	1 604 010 635	Armature With Fan			
808	1 601 118 K50	Nameplate			
810	1 607 014 176	Carbon-Brush Set			
818	1 607 000 729	Switch-Pawl			
821	1 605 806 5SC	Gear Housing			
828	1 607 000 D6C	Bearing Flange			
828/04	3 600 210 109	O-Ring			
831	1 601 290 013	Spring Element			
835	1 606 610 129	Fan			
840	1 607 000 253	Push-Button			